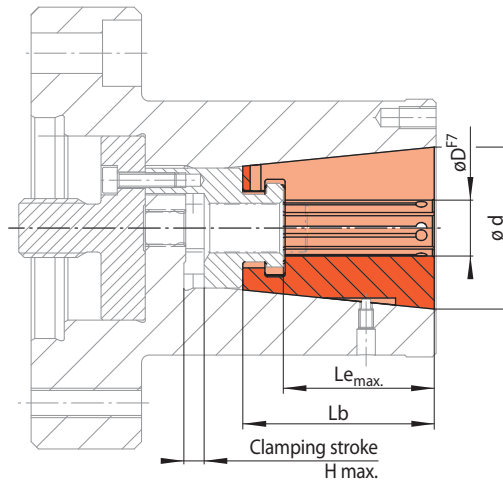


# Clamping Elements Taper Collets BKF

for setup of Taper Collet Flange Chucks BKFF  
to different clamping diameters within a given size



Taper Collet with bayonet connection

16-1

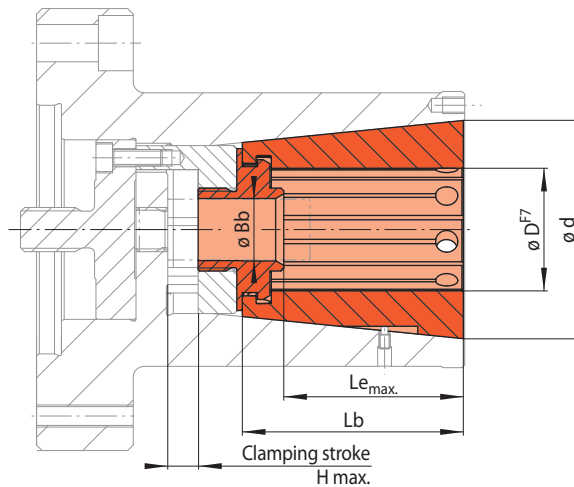
Size BKF ...	Clamping range	Max. transmissible torque*	Max. actuating force*	H max.**	Lb	Le max.	Art.-No.
d mm	D mm	M Nm	F N	mm	mm	mm	2198-
35	7,80 - 7,20	10,0	8500	3,5	50	39,5	035609-007.80
	8,20 - 7,60	11,0	8500	3,5	50	39,5	035609-008.20
	8,60 - 8,00	11,5	8500	3,5	50	39,5	035609-008.60
	9,00 - 8,40	12,0	8500	3,5	50	39,5	035609-009.00
	9,40 - 8,80	12,5	8500	3,5	50	39,5	035609-009.40
	9,80 - 9,20	13,0	8500	3,5	50	39,5	035609-009.80
	10,20 - 9,60	13,5	8500	3,5	50	39,5	035609-010.20
	10,60 - 10,00	14,5	8500	3,5	50	39,5	035609-010.60
	11,00 - 10,40	15,0	8500	3,5	50	39,5	035609-011.00
	11,40 - 10,80	15,5	8500	3,5	50	39,5	035609-011.40
	11,80 - 11,20	16,0	8500	3,5	50	39,5	035609-011.80
	12,20 - 11,60	16,5	8500	3,5	50	39,5	035609-012.20
	12,60 - 12,00	17,0	8500	3,5	50	39,5	035609-012.60
	13,00 - 12,40	17,5	8500	3,5	50	39,5	035609-013.00
	13,40 - 12,80	18,5	8500	3,5	50	39,5	035609-013.40
13,80 - 13,20	19,0	8500	3,5	50	39,5	035609-013.80	
14,20 - 13,60	19,5	8500	3,5	50	39,5	035609-014.20	
14,60 - 14,00	20,0	8500	3,5	50	39,5	035609-014.60	
44	15,20 - 14,40	27	11 000	5,0	52	40,5	044600-015.20
	15,80 - 15,00	28	11 000	5,0	52	40,5	044600-015.80
	16,40 - 15,60	29	11 000	5,0	52	40,5	044600-016.40
	17,00 - 16,20	30	11 000	5,0	52	40,5	044600-017.00
	17,60 - 16,80	31	11 000	5,0	52	40,5	044600-017.60
	18,20 - 17,40	32	11 000	5,0	52	40,5	044600-018.20
	18,80 - 18,00	33	11 000	5,0	52	40,5	044600-018.80
	19,40 - 18,60	34	11 000	5,0	52	40,5	044600-019.40
	20,00 - 19,20	35	11 000	5,0	52	40,5	044600-020.00
	20,60 - 19,80	37	11 000	5,0	52	40,5	044600-020.60
	21,20 - 20,40	38	11 000	5,0	52	40,5	044600-021.20
	21,80 - 21,00	39	11 000	5,0	52	40,5	044600-021.80
	22,40 - 21,60	40	11 000	5,0	52	40,5	044600-022.40
	23,00 - 22,20	41	11 000	5,0	52	40,5	044600-023.00
	23,60 - 22,80	42	11 000	5,0	52	40,5	044600-023.60

\* for clamping with pull-back action.

\*\* Clamping stroke H max. describes the load limit of the Clamping Element while activation without component.  
Maximum insertion depth  $L_{e,max.}$  corresponds to clamping length.

# Clamping Elements Taper Collets BKF

for setup of Taper Collet Flange Chucks BKFF  
to different clamping diameters within a given size



Taper Collect with thread connection

17-1

Size BKF ...	Clamping range	Max. transmissible torque*	Max. actuating force*	Bb	H max.**	Lb	Le max.	Art.-No.
d mm	D mm	M Nm	F N	mm	mm	mm	mm	3198-
56	24,60 - 23,40	63	16000	17,5	7,0	55	44,5	056609-024.60
	25,60 - 24,40	66	16000	17,5	7,0	55	44,5	056609-025.60
	26,60 - 25,40	69	16000	17,5	7,0	55	44,5	056609-026.60
	27,60 - 26,40	71	16000	17,5	7,0	55	44,5	056609-027.60
	28,60 - 27,40	74	16000	17,5	7,0	55	44,5	056609-028.60
	29,60 - 28,40	76	16000	17,5	7,0	55	44,5	056609-029.60
	30,60 - 29,40	79	16000	17,5	7,0	55	44,5	056609-030.60
	31,60 - 30,40	82	16000	17,5	7,0	55	44,5	056609-031.60
	32,60 - 31,40	84	16000	17,5	7,0	55	44,5	056609-032.60
33,60 - 32,40	87	16000	17,5	7,0	55	44,5	056609-033.60	
79	35,40 - 33,40	158	28000	22,5	11,0	80	64,5	079600-035.40
	37,20 - 35,20	166	28000	22,5	11,0	80	64,5	079600-037.20
	39,00 - 37,00	174	28000	22,5	11,0	80	64,5	079600-039.00
	40,80 - 38,80	183	28000	22,5	11,0	80	64,5	079600-040.80
	42,60 - 40,60	191	28000	22,5	11,0	80	64,5	079600-042.60
	44,40 - 42,40	200	28000	22,5	11,0	80	64,5	079600-044.40
	46,20 - 44,20	208	28000	22,5	11,0	80	64,5	079600-046.20
	48,00 - 46,00	217	28000	22,5	11,0	80	64,5	079600-048.00
	49,80 - 47,80	225	28000	22,5	11,0	80	64,5	079600-049.80
51,60 - 49,60	234	28000	22,5	11,0	80	64,5	079600-051.60	
110	53,80 - 51,40	346	40000	22,3	13,0	110	88,5	110600-053.80
	56,00 - 53,60	360	40000	22,3	13,0	110	88,5	110600-056.00
	58,20 - 55,80	375	40000	22,3	13,0	110	88,5	110600-058.20
	60,40 - 58,00	390	40000	22,3	13,0	110	88,5	110600-060.40
	62,60 - 60,20	405	40000	22,3	13,0	110	88,5	110600-062.60
	64,80 - 62,40	419	40000	22,3	13,0	110	88,5	110600-064.80
	67,00 - 64,60	443	40000	22,3	13,0	110	88,5	110600-067.00
	69,20 - 66,80	449	40000	22,3	13,0	110	88,5	110600-069.20
	71,40 - 69,00	464	40000	22,3	13,0	110	88,5	110600-071.40
73,60 - 71,20	479	40000	22,3	13,0	110	88,5	110600-073.60	

\* for clamping with pull-back action. \*\* Clamping stroke H max. describes the load limit of the Clamping Element while activation without component. Maximum insertion depth  $Le_{max}$  corresponds to clamping length.

## Example for ordering

Please indicate the size of the Clamping Element and the clamping range of the requested Taper Collet, in your order:

Size: BKF 35  
Clamping range: 10,20 - 9,60 mm  
➔ BKF 35-10,20-9,60