

# Brake Caliper DH 020 MSM

manually activated – manually released  
with hand wheel



69-1

## Features

Features	Code
Brake Caliper	D
Mounting to the machine at right angles to the brake disc	H
Frame size 020	020
Manually activated	M
Manually released	S
Manual adjustment to accommodate friction block wear	M
Hand wheel 720	720
Position of the hand wheel to the right or left can be defined by turning the brake during installation	U
Thickness of brake disc 12,5 mm	12

## Example for ordering

Brake Caliper DH 020 MSM, hand wheel 720, position of the hand wheel can be to the right or left, thickness of brake disc 12,5 mm:

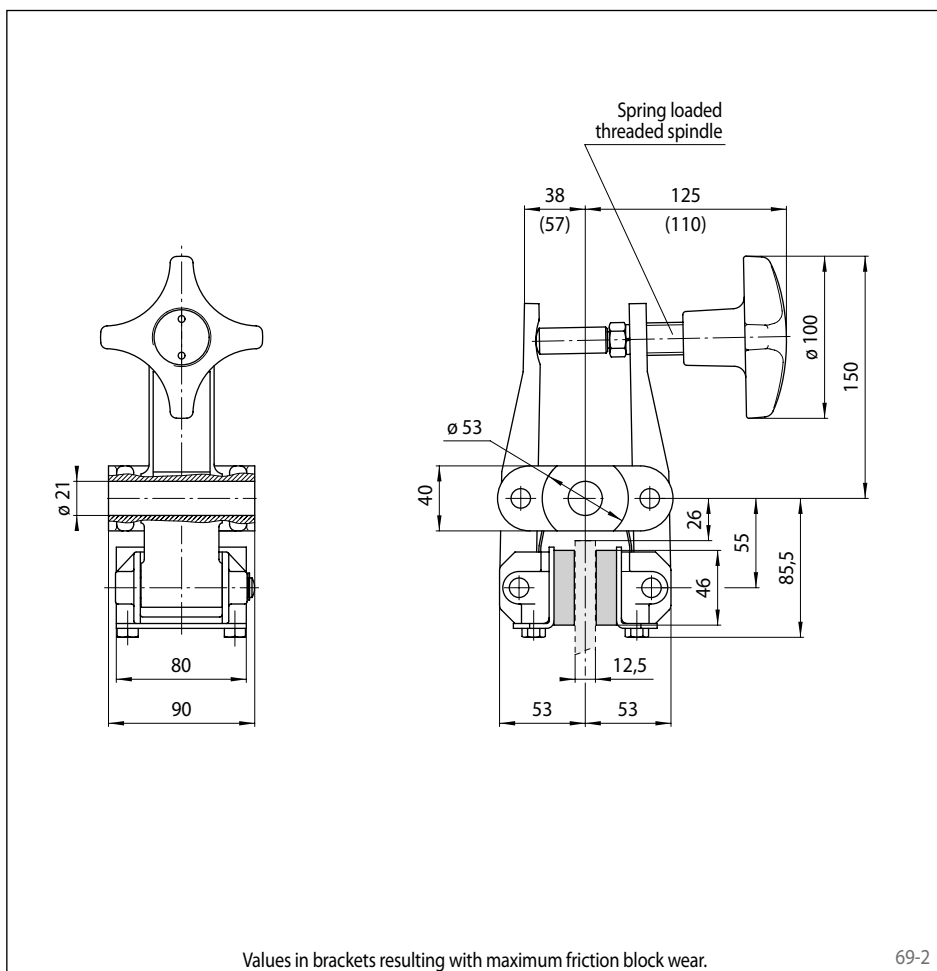
DH 020 MSM - 720 U - 12

## Technical Data

Brake Caliper DH 020 MSM with hand wheel 720	
Brake disc diameter	Braking torque
mm	Nm
200	160
250	215
300	270
355	335
430	420
520	520
Clamping force	2800 N
Weight	4,8 kg

The braking torques shown in the diagram are based on a theoretical friction coefficient of 0,4. The maximum braking torques are based on an operating torque of 7,7 Nm at the hand wheel.

A spring loaded threaded spindle compensates for wear of the friction block during the braking action.



69-2