

Rail Clamps DR ... FHM

spring activated – hydraulically released

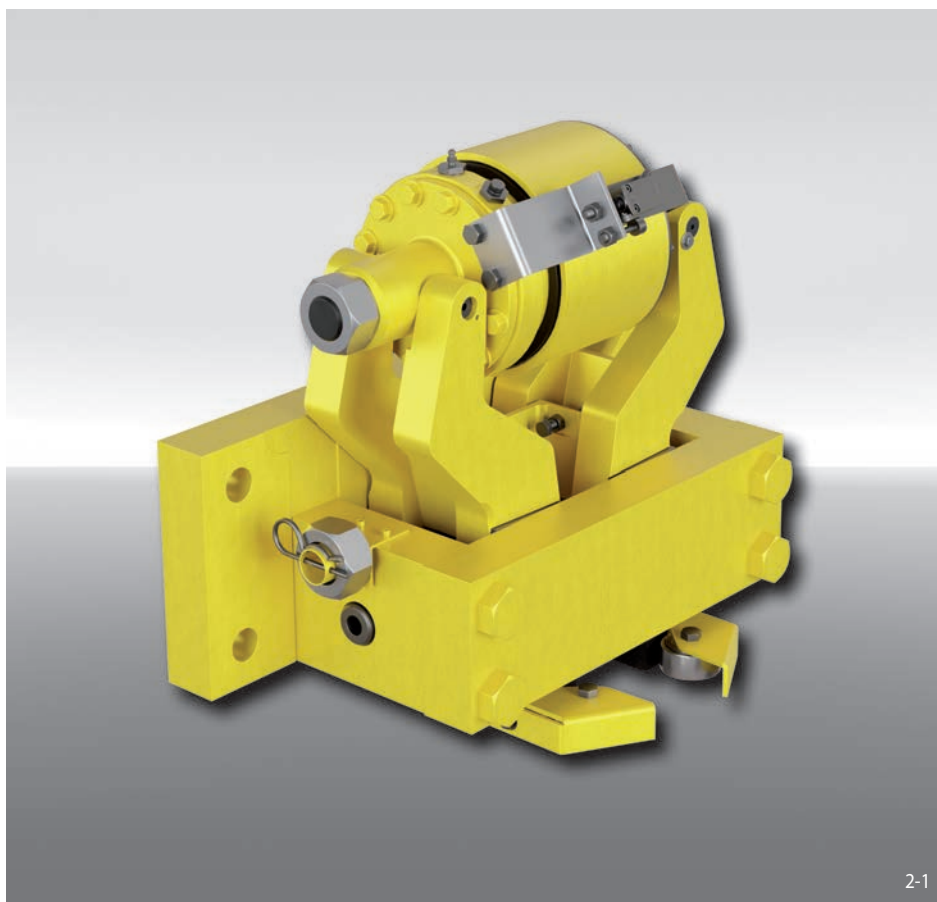


Issue 07/2022 · Technical details subject to change without notice.

E09.067e

Rail Clamp DR 085 FHM

spring activated – hydraulically released



2-1

Features	Code
Clamp	D
Rail	R
Frame size 085	085
Spring activated	F
Hydraulically released	H
Manual adjustment to accommodate friction block wear	M
Max. braking forces for holding of 50 kN, 100 kN, 200 kN, 300 kN or 400 kN	050 to 400
Thruster mounted in central position	M
Clamping jaws are available for rail profiles A55, A65, A75, A100, A120 or 60E1	A55 A65 A75 A100 A120 60E1

Technical Data

	Rail Clamp DR 085 FHM ...				
	with braking force 050	with braking force 100	with braking force 200	with braking force 300	with braking force 400
Braking force	50 kN	100 kN	200 kN	300kN	400 kN
Nominal pad gap (total)	3 mm	3 mm	2,5 mm	2 mm	1,6 mm
Oil pressure	min. 110 bar max. 130 bar	min. 110 bar max. 130 bar	min. 105 bar max. 130 bar	min. 105 bar max. 130 bar	min. 115 bar max. 130 bar
Oil volume	max. 80 cm ³	max. 80 cm ³	max. 220 cm ³	max. 220 cm ³	max. 220 cm ³
Weight	210 kg	210 kg	238 kg	238 kg	238 kg

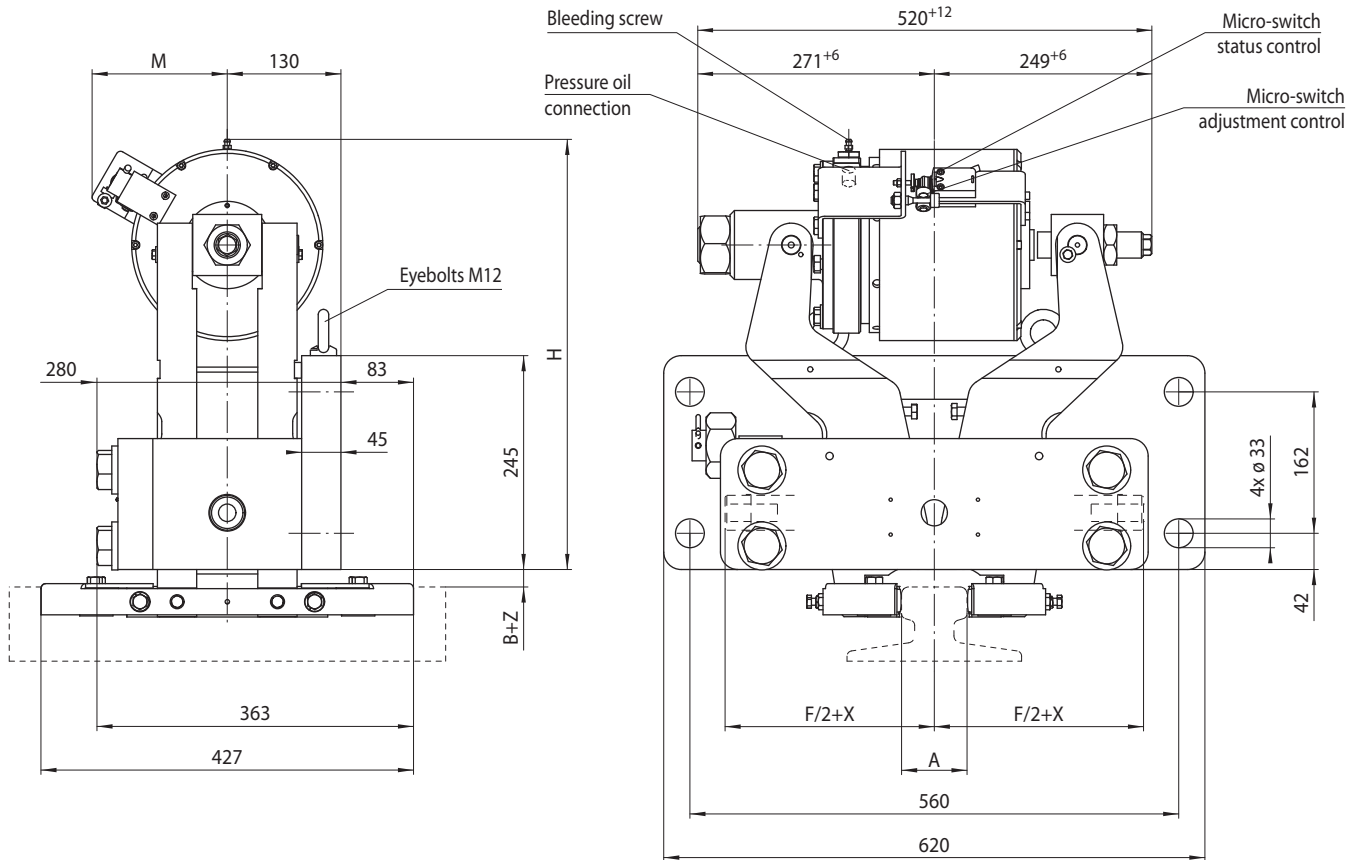
Example for ordering

Rail Clamp DR 085 FHM, max. braking force 100 kN, thruster mounted in central position and rail profile A55:

DR 085 FHM-100 M-A55

Rail Clamp DR 085 FHM

spring activated – hydraulically released



Rail Clamp	M	H	Pressure oil connection
	mm	mm	
DR 085 FHM-050	94	483	1/4"
DR 085 FHM-100	94	483	1/4"
DR 085 FHM-200	155	493	3/8"
DR 085 FHM-300	155	493	3/8"
DR 085 FHM-400	155	493	3/8"

Rail profile	A	B	F	X	Z
	mm	mm	mm	mm	mm
A55	55	25	479,5	+/-30	+1/-3
A65	65	20	479,5	+/-30	+/-4
A75	75	20	479,5	+/-30	+2/-5
A100	100	15	486,0	+/-20	+/-5
A120	120	15	486,0	+/-20	+/-5
60E1	72	15	479,5	+/-30	+2/-5

3-1

Working conditions

- Ambient temperature: -20 °C / +40 °C
- Air humidity: <90%

Monitoring switch

- 240 VAC 1.5 A; 250 VDC 0.1 A
- Cable 5 x 0.75 mm², length 2 m, outer diameter 7.5 mm
- Protection type IP67

Options

- Protection cover
- Integrated hydraulic power unit
- Offshore certifications
- Seawater execution
- Flat pads for dynamic braking

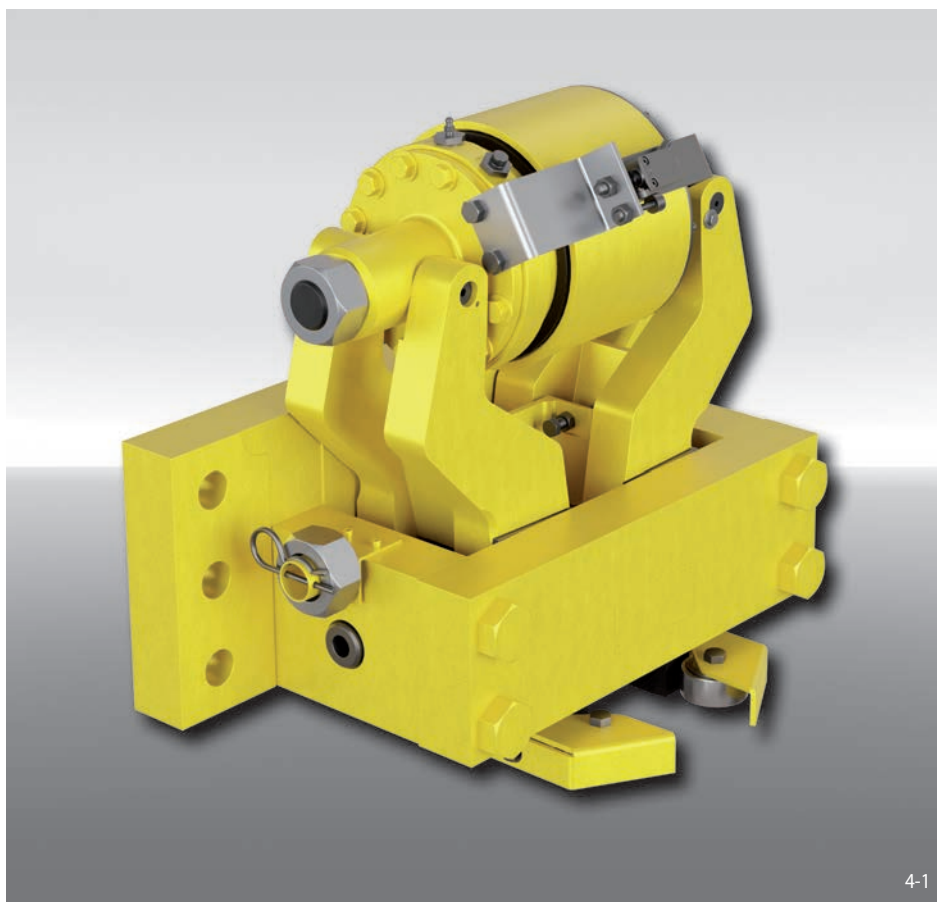
Notes

- Fastening:
 - 4 screws M 30 class 10.9 (optional)
 - Cs: 1 515 Nm +/- 5% ; μ=0,10

Rail Clamp DR 088 FHM

spring activated – hydraulically released

RINGSPANN®



Features	Code
Clamp	D
Rail	R
Frame size 088	088
Spring activated	F
Hydraulically released	H
Manual adjustment to accommodate friction block wear	M
Max. braking force 500 kN	500
Thruster mounted in central position	M
Clamping jaws are available for rail profiles A55, A65, A75, A100, A120 or 60E1	A55 A65 A75 A100 A120 60E1

Technical Data

Braking force	500 kN
Nominal pad gap (total)	2 mm
Oil pressure	min. 110 bar max. 130 bar
Oil volume	max. 220 cm ³
Weight	290 kg

Example for ordering

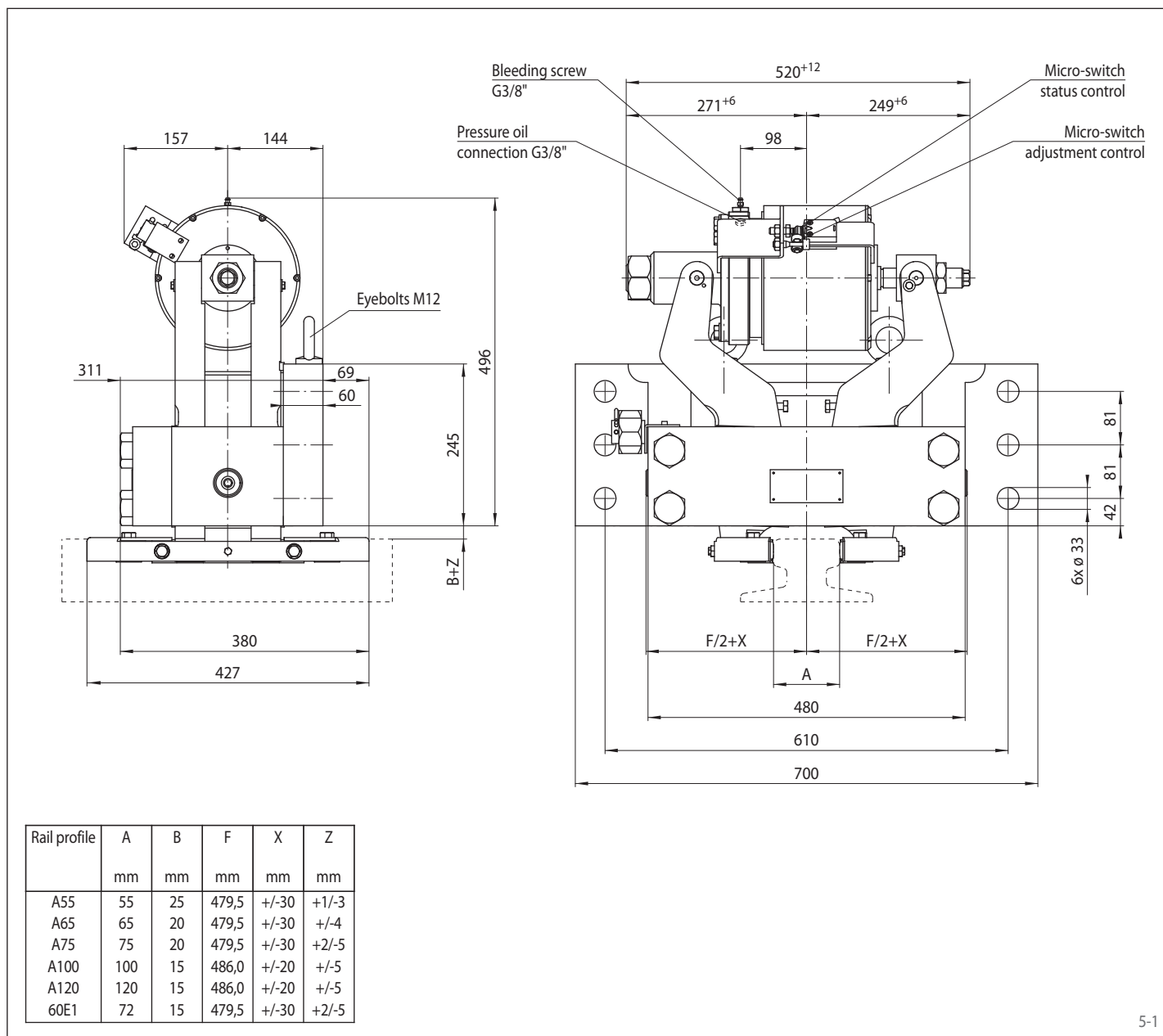
Rail Clamp DR 088 FHM, max. braking force 500 kN, thruster mounted in central position and rail profile A55:

DR 088 FHM-500 M-A55

Rail Clamp DR 088 FHM

RINGSPANN®

spring activated – hydraulically released



5-1

Working conditions

- Ambient temperature: -20 °C / +40 °C
- Air humidity: <90%

Monitoring switch

- 240 VAC 1.5 A; 250 VDC 0.1 A
- Cable 5 x 0.75 mm², length 2 m, outer diameter 7.5 mm
- Protection type IP67

Options

- Protection cover
- Integrated hydraulic power unit
- Offshore certifications
- Seawater execution
- Flat pads for dynamic braking

Notes

- Fastening:
 - 6 screws M 30 class 10.9 (optional)
 - Cs: 1 515 Nm +/- 5% ; μ=0,10

Germany

RINGSPANN GmbH

Schaberweg 30-38, 61348 Bad Homburg, Germany
+49 6172 275 0
info@ringspann.de • www.ringspann.de

RINGSPANN RCS GmbH

Hans-Mess-Straße 7, 61440 Oberursel, Germany
+49 6172 67 68 50
info@ringspann-rcs.de • www.ringspann-rcs.de

France

SIAM - RINGSPANN S.A.

23 rue Saint-Simon, 69009 Lyon, France
+33 4 78 83 59 01
info@siam-ringspann.fr • www.ringspann.fr

Great Britain, Ireland

RINGSPANN (U.K.) LTD.

3, Napier Road, Bedford MK41 0QS, Great Britain
+44 1234 3425 11
info@ringspann.co.uk • www.ringspann.co.uk

Italy

RINGSPANN Italia S.r.l.

Via A.D. Sacharov, 13, 20812 Limbiate (MB), Italy
+39 02 93 57 12 97
info@ringspann.it • www.ringspann.it

Netherlands, Belgium, Luxembourg

RINGSPANN Benelux B.V.

Nieuwenkampsmaten 6-15, 7472 DE Goor,
Netherlands • +31 547 26 13 55
info@ringspann.nl • www.ringspann.nl

Austria, Hungary, Slovenia

RINGSPANN Austria GmbH

Triesterstraße 21, 2620 Neunkirchen, Austria
+43 26 35 624 46
info@ringspann.at • www.ringspann.at

Poland

Radius-Radpol Wiecheć Sp.J.

Ul. Pasjonatów 3, 62-070 Dąbrowa, Poland
+48 61 814 39 28 • info@radius-radpol.com.pl
www.radius-radpol.com.pl

Romania, Bulgaria, Moldova

S.C. Industrial Seals and Rolls S.R.L.

Str. Depozitelor, No. 29, 110078 Pitesti, Romania
+4 0751 22 82 28
mihai@isar.com.ro • www.isar.com.ro

Sweden, Finland, Denmark,

Norway, Baltic states

RINGSPANN Nordic AB

Flottiljgatan 69, 721 31 Västerås, Sweden
+46 156 190 98
info@ringspann.se • www.ringspann.se

Switzerland

RINGSPANN AG

Sumpfstrasse 7, P.O. Box, 6303 Zug,
Switzerland • +41 41 748 09 00
info@ringspann.ch • www.ringspann.ch

Spain, Portugal

RINGSPANN IBERICA S.A.

C/Uzbina, 24-Nave E1, 01015 Vitoria, Spain
+34 945 22 77-50
info@ringspann.es • www.ringspann.es

Czech Republic, Slovakia

Ing. Petr Schejbal

Mezivřší 1444/27, 14700 Prag, Czech Republic
+420 222 96 90 22
Petr.Schejbal@ringspann.cz • www.ringspann.com

Ukraine

"START-UP" LLC.

Saltivske Hwy, 43, letter G-3, office 101,
Kharkiv 61038, Ukraine • +38 057 717 03 04
start-up@start-up.kh.ua • www.start-up.kh.ua

Asia

Australia, New Zealand

RINGSPANN Australia Pty Ltd

Unit 5, 13A Elite Way, Carrum Downs Vic 3201,
Australia • +61 3 9069 0566
info@ringspann.com.au • www.ringspann.com.au

China, Taiwan

RINGSPANN Power Transmission (Tianjin) Co., Ltd.

No. 21 Gaoyan Rd., Binhai Science and Technology
Park, Binhai Hi-Tech Industrial, Development Area,
Tianjin, 300458, P.R. China • +86 22 5980 31 60
info.cn@ringspann.cn • www.ringspann.cn

India, Bangladesh, Nepal

RINGSPANN Power Transmission India Pvt. Ltd.

GAT No: 679/2/1, Village Kuruli, Taluka Khed, Chakan-
Alandi Road, Pune - 410501, Maharashtra, India
+91 21 35 67 75 00 • info@ringspann-india.com
www.ringspann-india.com

Singapore, ASEAN

RINGSPANN Singapore Pte. Ltd.

143 Cecil Street, #17-03 GB Building,
Singapore 069542 • +65 9633 6692
info@ringspann.sg • www.ringspann.sg

South Korea

RINGSPANN Korea Ltd.

33 Gojae-17 Ghil Dongnam-gu, 31187 Cheonan-si
Chungnam, South Korea • +82 10 54961 368
info@ringspann.kr • www.ringspann.kr

America

Brazil

Antares Acoplamentos Ltda.

Rua Evaristo de Antoni, 1222, Caxias do Sul, RS,
CEP 95041-000, Brazil • +55 54 32 18 68 00
vendas@antaresacoplamentos.com.br
www.antaresacoplamentos.com.br

Chile, Peru, Colombia, Ecuador

RINGSPANN Sudamérica SpA

Miraflores 222, Piso 28-N, Santiago,
Región Metropolitana, Chile • +56 9 8414 4078
info@ringspannsudamerica.com
www.ringspannsudamerica.com

USA, Canada, Mexico

RINGSPANN Corporation

10550 Anderson Place, Franklin Park, IL 60131, USA
+1 847 678 35 81
info@ringspanncorp.com •
www.ringspanncorp.com

Africa and Middle East

Egypt

Shofree Trading Co.

218 Emtedad Ramsis 2, 2775 Nasr City, Cairo, Egypt
+20 2 20 81 20 57
info@shofree.com • www.ringspann.com

Israel

G.G. Yarom Rolling and Conveying Ltd.

6, Hamaktesh Str., 58810 Holon, Israel
+972 3 557 01 15
noam_a@gg.co.il • www.ringspann.com

South Africa, Sub-Saharan

RINGSPANN South Africa (Pty) Ltd.

96 Plane Road Spartan, Kempton Park,
P.O. Box 8111 Edenglen 1613, South Africa
+27 11 394 18 30
info@ringspann.co.za • www.ringspann.co.za

Iran

Persia Robot Machine Co. Ltd.

4th Floor, No 71, Mansour St, Motahari Avenue,
Tehran 15957, Iran • +98 21 88 70 91 58-62
info@persiarobot.com • www.ringspann.com

Maghreb, West Africa

SIAM - RINGSPANN S.A.

23 rue Saint-Simon, 69009 Lyon, France
+33 4 78 83 59 01
info@siam-ringspann.fr • www.ringspann.fr