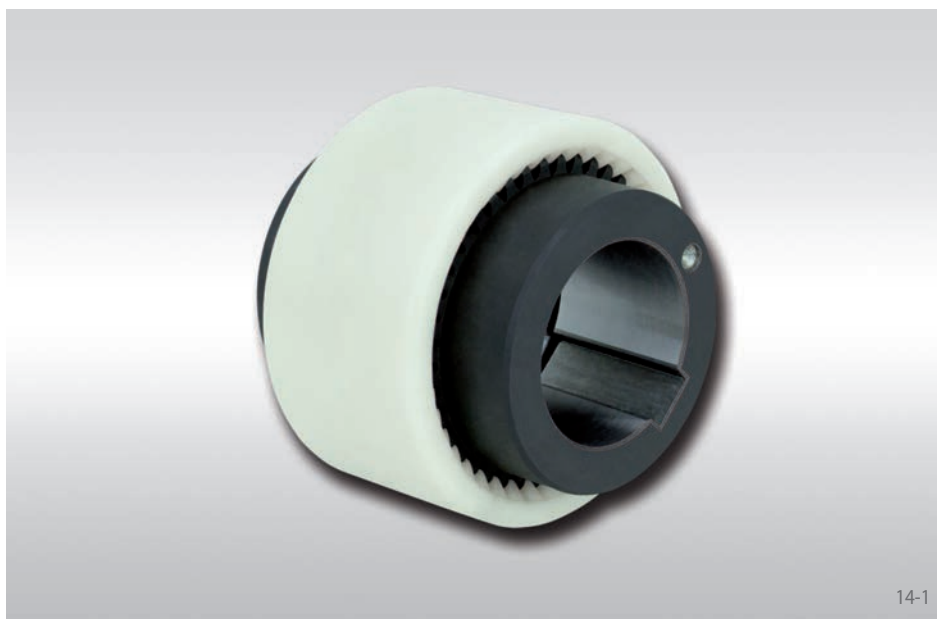
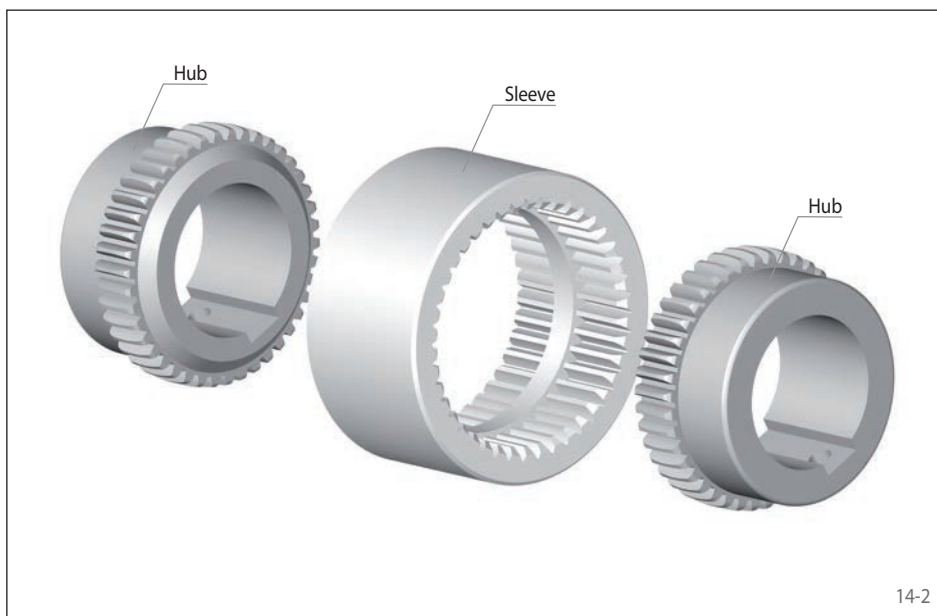


Gear Couplings RDZ ... EEO

torsionally rigid
continuous sleeve and double engagement gearing



14-1



14-2

Features

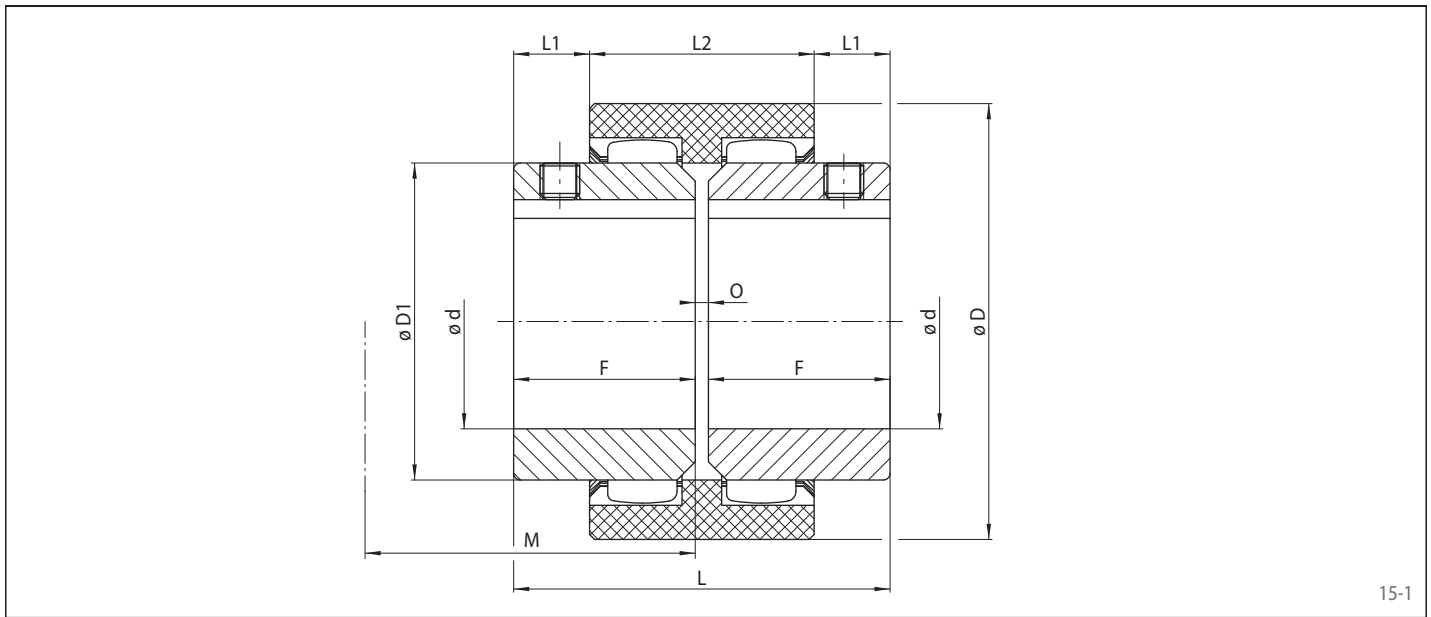
- Compensation of axial, radial and angular misalignments
- Double engagement allows smooth torque transmission
- Deployable in horizontal and vertical applications
- Temperature range from -25 °C to +100 °C
- Low weight and low moments of inertia
- Maintenance free thanks to a combination of steel and polyamide 6.6
- Typical applications: Hydraulics, pump drives

Order example

Order example	Code
Coupling design	RDZ
Coupling size	0014
Type	EEO
Material of the hub: • Steel	STA
Hub A, type: • 0, standard	0
Hub A, design: • finish bored with keyway • roughbored	FB VA
Bore diameter hub A	015
Hub B, type: • 0, standard	0
Hub B, design: • finish bored with keyway • roughbored	FB VA
Bore diameter hub B	015
Material of the sleeve: • Polyamide 6.6	PA66

RDZ 0014 EEO-STA-0FB015-0FB015-PA66

torsionally rigid
continuous sleeve and double engagement gearing



15-1

Coupling size	Nominal torque T_{KN} Nm	Nominal power at 100 min^{-1} P_{K100} kW	Max. speed n_{max} min^{-1}	Moment of inertia with max. bore J_k kgcm^2	Permissible misalignments		
					Axial +/- mm	Radial mm	Angular $^\circ$
0014	10	0,10	14000	0,26	1	0,3	1
0019	16	0,17	11800	0,47		0,3	
0024	20	0,21	10600	0,93		0,4	
0028	45	0,47	8500	3,09		0,4	
0032	60	0,63	7500	5,48		0,4	
0038	80	0,84	6700	8,68		0,4	
0042	100	1,00	6000	14,28		0,4	
0048	140	1,50	5600	18,34		0,4	
0065	380	4,00	4000	84,80		0,4	

Coupling size	Pilot bore d^* mm	Bore d^*		D mm	D1 mm	F mm	L mm	L1 mm	L2 mm	M** mm	O mm	Weight with max. bore kg
		min. mm	max. mm									
0014	5	6	15	40	25	23	50	6,5	37	37	4	0,10
0019	10	11	20	48	32	25	54	8,5	37	37	4	0,23
0024	10	11	24	52	36	26	56	7,5	41	41	4	0,32
0028	10	11	28	66	44	40	84	19	46	46	4	0,74
0032	10	11	32	76	50	40	84	18	48	48	4	0,95
0038	10	11	38	83	58	40	84	18	48	48	4	1,23
0042	10	11	42	92	65	42	88	19	50	50	4	1,50
0048	10	11	48	95	68	50	104	27	50	50	4	1,81
0065	10	11	65	132	96	55	114	23	68	68	4	4,35

For finish bores, please specify bore diameter hub A and hub B. Tolerance of finish bores H7. Keyways in accordance with DIN 6885, sheet 1. Keyway tolerance JS9.

* Bores also available in inch size, see page 68.

** Minimum dimensions by which the units need to be pushed apart to enable a radial disassembly of the sleeve.

Selection of IEC standard motors

Frame size	A.C. motor 50 Hz		Motor power n = 3 000 min ⁻¹ 2 pole		RDZ ... EEO Coupling size	Motor power n = 1 500 min ⁻¹ 4 pole		RDZ ... EEO Coupling size	Motor power n = 1 000 min ⁻¹ 6 pole		RDZ ... EEO Coupling size	Motor power n = 750 min ⁻¹ 8 pole		RDZ ... EEO Coupling size
	Shaft end d x l		Power P _{AN}	Torque T _{AN}		Power P _{AN}	Torque T _{AN}		Power P _{AN}	Torque T _{AN}		Power P _{AN}	Torque T _{AN}	
	2 pole	4, 6, 8 pole	kW	Nm		kW	Nm		kW	Nm		kW	Nm	
	mm	mm												
56	9 x 20		0,09 0,12	0,32 0,41	0014	0,06 0,09	0,43 0,64	0014	0,037 0,045	0,43 0,52	0014	-	-	-
63	11 x 23		0,18 0,25	0,62 0,86		0,12 0,18	0,88 1,3		0,06 0,09	0,7 1,1		-	-	-
71	14 x 30		0,37 0,55	1,3 1,9		0,25 0,37	1,8 2,5		0,18 0,25	2 2,8		0,09 0,12	1,4 1,8	0014
80	19 x 40		0,75 1,1	2,5 3,7	0019	0,55 0,75	3,7 5,1	0,37 0,55	3,9 5,8	0019	0,18 0,25	2,5 3,5	0019	
90S	24 x 50		1,5	5	0024	1,1	7,5	0,75	8	0024	0,37	5,3	0024	
90L			2,2	7,4		1,5	10	1,1	12		0,55	7,9		
100L	28 x 60		3	9,8	0028	2,2 3	15 20	1,5	15	0028	0,75 1,1	11 16	0028	
112M			4	13		4	27	2,2	22		1,5	21		
132S	38 x 80		5,5 7,5	18 25	0038	5,5	36	3	30	0038	2,2	30	0038	
132M			-	-		7,5	49	4 5,5	40 55		3	40		
160M	42 x 110		11 15	36 49	0042	11	72	7,5	75	0042	4 5,5	54 74	0042	
160L			18,5	60		15	98	11	109		7,5	100		
180M	48 x 110		22	71	0048	18,5	121	-	-	0048	-	-	0048	
180L			-	-		22	144	15	148		11	145		
200L	55 x 110		30 37	97 120	0065	30	196	18,5 22	181 215	0065	15	198	0065	
225S	55 x 110	60 x 140	-	-		37	240	-	-		18,5	244		
225M			45	140		45	292	30	293		22	290		
250M	60 x 140	65 x 140	55	177		55	356	37	361		30	392		
280S		75 x 140	75	241		75	484	45	438		37	483		
280M			90	289		90	581	55	535		45	587		
315S	65 x 140	80 x 170	110	353		110	707	-	75		727	-		55
315M			132	423	132	849	90	873	75	971				
315L			160 200	513 641	160 200	1030 1290	110 132	1070 1280	90 110	90 110				

During selection, the nominal torque of the coupling at +30 °C was factored in with a start-up factor SZ of 1 and a co-efficient of impact SA/SL of 1. Detailed selection in accordance with the technical information on page 64 et seq.

Standard bores

Coupling size	Bore d								
	mm	mm	mm	mm	mm	mm	mm	mm	mm
0014	9	11	14	15	-	-	-	-	-
0019	11	14	15	18	19	20	-	-	-
0024	11	14	15	18	19	20	22	24	-
0028	14	15	18	19	20	22	24	28	-
0032	18	19	20	22	24	28	32	-	-
0038	18	19	20	22	24	28	32	38	-
0042	18	19	20	22	24	28	32	38	42
0048	28	32	38	42	48	-	-	-	-
0065	32	38	42	48	55	60	65	-	-